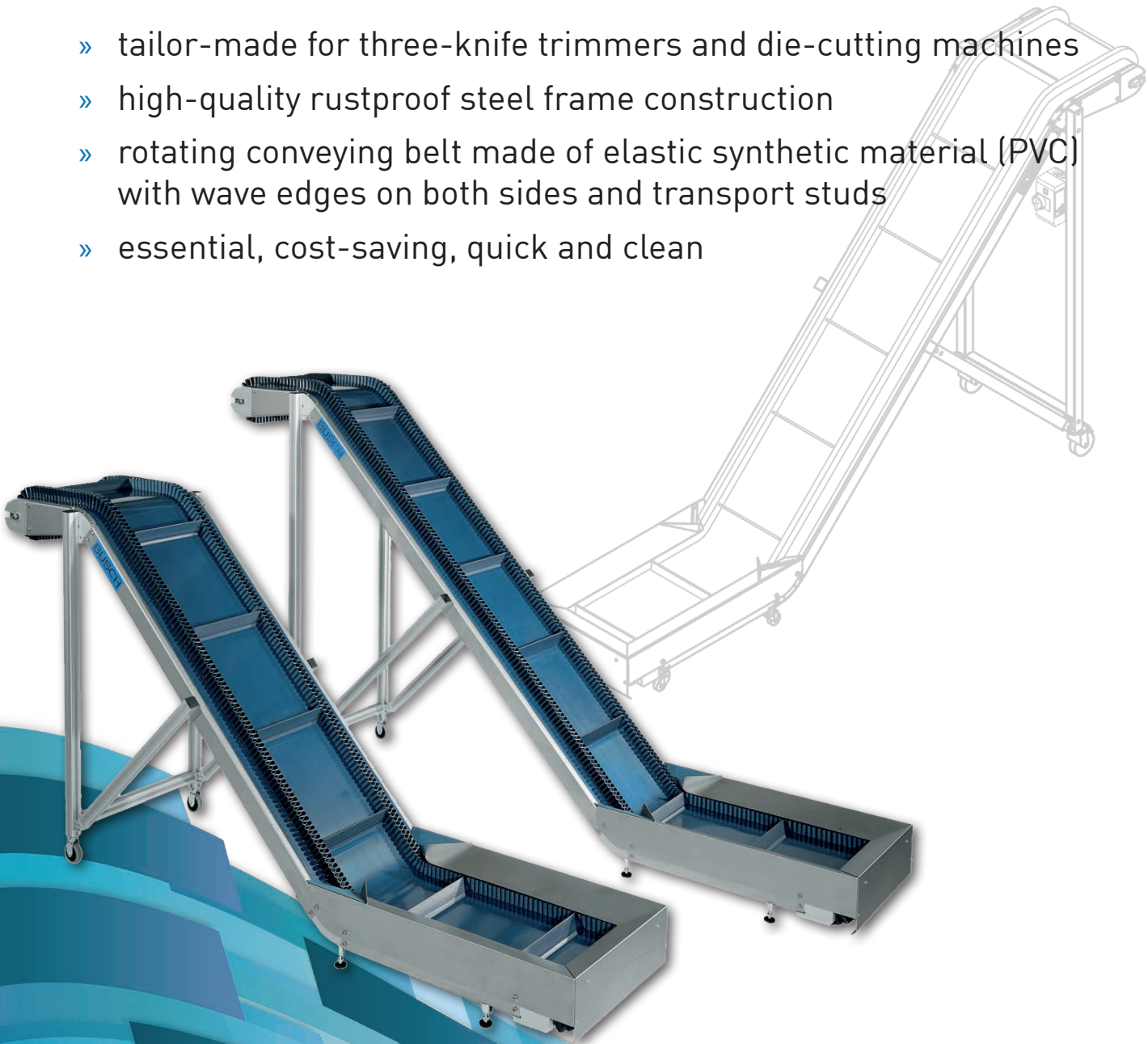


WASTE CONVEYORS

model series KF and HF

Professional waste disposal
of cutting waste into containers

- » tailor-made for three-knife trimmers and die-cutting machines
- » high-quality rustproof steel frame construction
- » rotating conveying belt made of elastic synthetic material (PVC) with wave edges on both sides and transport studs
- » essential, cost-saving, quick and clean





Waste disposal - often an unsolved and expensive problem

- » Type KF is installed on saddle stitchers, perfect binders, three knife trimmers and BUSCH Die-Cutting Machines
- » the waste conveyors can be positioned according to the requirements, on the left or right hand side or straight away from the machine
- » three different conveying heights and two different lengths of delivery chutes are available (length of the straight bottom surface) suitable for almost every application
- » available in the following conveying heights: 110 cm, 145 cm and 175 cm for waste containers with the correspondent maximal height

model series KF



BUSCH Waste Conveyor model KF 110 connected to a BUSCH Die-Cutting Machine model BL

Taylor-made BUSCH Waste Conveyors solve the problem

- » waste conveyor systems for disposal of cutting waste available for all well-known finishing machines
- » additional cross conveying elements - type HF - enhance the space conditions
- » in connection with model KF a compact solution is created - customized to the local conditions
- » electrical connection and switching on and off is handled via the connected KF waste conveyor



BUSCH Waste Conveyor model KF 175 with HF 00
on a Heidelberg Stitchmaster



BUSCH Waste Conveyor model KF 145 with HF 35 on a Müller Martini Minuteman



Technical data		KF 110	KF 145	KF 175	HF 00	HF 35
Conveying height (A)	mm	1100	1450	1750	-	350
Length of delivery chute (B)	mm	600*	600*	600*	1000	800
Conveying speed						
at 50 Hz	m/s	0,40	0,40	0,40	0,40	0,40
at 60 Hz	m/s	0,48	0,48	0,48	0,48	0,48
Power requirements: 3-phase current	kW	0,3	0,3	0,3	0,12	0,12
Power consumption 400 V	A	0,6	0,6	0,6	0,25	0,25
Measurements and weights						
Length (C)	mm	2485	2835	3135	1260	1510
Height (D)	mm	1310	1660	1960	505	545
Width (E)	mm	625	625	625	580	580
Net weight	kg	88	102	114	43	45

* Types KF 110-80, KF 145-80 and KF 175-80: length of delivery chute (B) 800 mm.
The total length of the machine (C) is increased by 200 mm.

