

# PILE HOIST

## model series HL

For ergonomic working at comfortable height

- » automatic lifting and lowering of palletized cutting material
- » individually adjustable working height for increased productivity and health-friendly operation
- » optional angle stop device allows for precise stacking of the cutting material





## Professional peripheral for highest requirements

- » automatically lifted cutting material can be loaded into the jogger or directly into the guillotine at a comfortable, individually adjustable working height
- » hydraulic direct drive without lifting chains
- » stable welded construction
- » lifting platform with bevelled front edge for transverse pick-up of pallets
- » operating arm can be fitted on the left or right
- » height-adjustable encapsulated light sensor allows for individual working height

**model HL 85**



platform size: 620 x 850 mm  
load: 500 kg

**model HL 110**



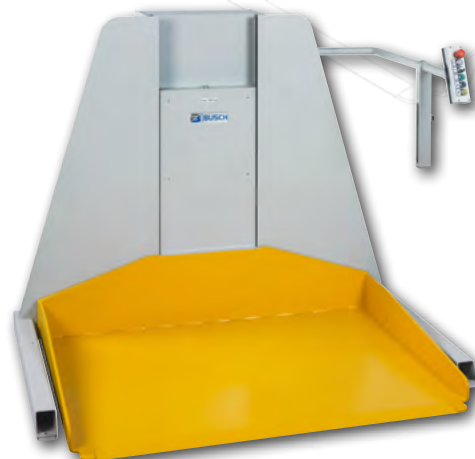
platform size: 780 x 1100 mm  
load: 1000 kg

**model HL 125**



platform size: 840 x 1250 mm  
load: 1000 kg

**model HL 155**



platform size: 1100 x 1550 mm  
load: 1500 kg

## Reduced workload before and after cutting

- » BUSCH Pile Hoists are equipped with switchable automated lifting and lowering function for loading and stacking



### Loading (lifting)

- » after removing the cutting material, the pile is automatically lifted to the preset working height



### Stacking (lowering)

- » after the cutting material is stacked, the pile is automatically lowered to the preset height
- » optionally available with angle stop device for precise stacking of cut material



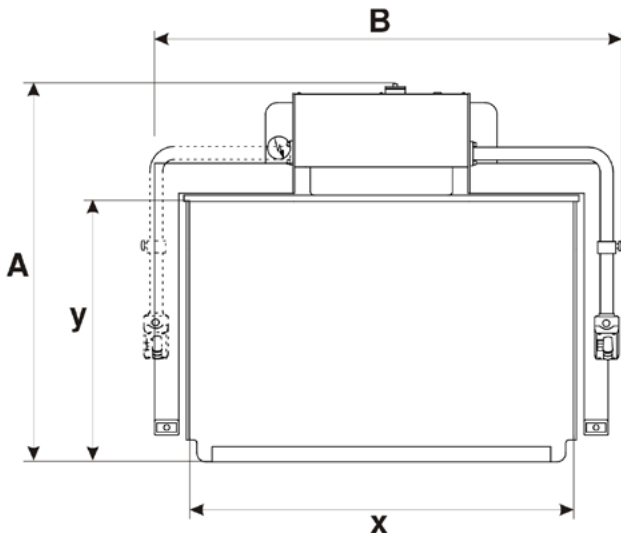


# PILE HOIST

## model series HL

Technical data		HL 85	HL 110	HL 125	HL 155
platform depth (y)	mm	620	780	840	1100
inside platform width (x)	mm	850	1100	1250	1550
max. stroke	mm	900	900	900	900
max. load	kg	500	1000	1000	1500
machine depth (A)	mm	1040	1200	1260	1530
machine width (B)	mm	1070	1390	1570	1840
machine weight	kg	400	500	530	770
supply voltage	V / Hz V / Hz	400 / 50 220 / 60	400 / 50 220 / 60	400 / 50 220 / 60	400 / 50 220 / 60
power consumption					
400 V / 50 Hz	A	3,7	3,7	3,7	3,7
220 V / 60 Hz	A	6,4	6,4	6,4	6,4
automated lifting / lowering		■	■	■	■
angle stop device		□	□	□	□

- standard
- option



Gerhard Busch GmbH

Brookdamm 28 | D-21217 Seevetal | Germany  
Tel. +49 (0)40 769159-0 | Fax +49 (0)40 769159-33  
info@buschgraph.de | www.buschgraph.de

**Stanzmaschinen** Die-Cutting Machines  
**Bündelmaschinen** Banding Machines  
**Späneförderbänder** Waste Conveyors  
**Stapelwender** Pile Turners  
**Schneidemaschinen** Guillotines  
**Schneidperipherie** Peripherals for Guillotines

